



## DATA SHEET

# Siemens RapidSBx™ Switchboard

[usa.siemens.com/rapidsbx](http://usa.siemens.com/rapidsbx)

RapidSBx™ is UL891 rated and built on the solid foundation of Siemens Switchboard line. Available with 1200 A main rating and customizable branch options between 125 through 600 A frames. Engineered with convenience and flexibility in mind, RapidSBx™ makes installation easier with its ample conduit space, and pad-mount design.

### Key advantages of Siemens RapidSBx™ include:

1. Rapid delivery, made to stock product
2. Low profile, 3R enclosure with durable white finish
3. Optional Surge Protection and 120 volt AC Duplex convenience outlet

RapidSBx™ is the distribution solution for EV charging, retro-fitting fuel centers, large automotive manufacturing facilities, and government infrastructure expansion applications.

**SIEMENS**

1200 A RapidSBx<sup>®</sup>

Catalog Number		SBXWW12XBB3RX	SBXWW12EBB3RP
Standards Compliance		UL891	
System Voltage		208Y/120V, 3Ø, 4W 480Y/277V, 3Ø, 4W	480Y/277V, 3Ø, 4W
System Interrupt Capability		65 kAIC	
Service Entrance		Suitable for use as service entrance	
Main	Bus Material	Tin plated Aluminum	
	Amperage	1200 A	
	Breaker	3VA6712-6HQ31-0AA0	
	Protective Parameters	LSIG	
	Breaker Lug Range	(4) 1/0 - 500kcmil	
Branch	Branch Breaker Ratings	125 A, 250 A, 400 A, & 600 A	
	Available Unit Space	28.75	
Enclosure	Type	NEMA 3R Outdoor	
	Installation Type	Pad-mount	
	Dimensions (inches)	46 W X 36 D X 66 H	
	Weight (lbs)	1000	
	Paint Color	White	
	Seismic Rating	IBC-2021 / CBC-2022 $S_{DS} = 1.70 \text{ g}$ for $z/h = 1.0$ ; $I_p = 1.0$	
Ground Bar		Aluminum	
Terminations		Front accessible	
Dynamic Arc Sentry on Main		Yes	
Surge Protection		SPD Ready <sup>①</sup>	SPD Installed, #TPS4E0610X2
Convenience Receptacle		N/A	Yes

**Field installable kits and blank filler plates****Connection Strap Kits for field installation**

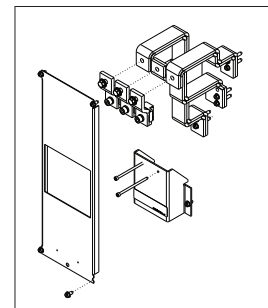
Includes straps, coverplates, and necessary hardware to install a branch breaker

Breaker Family	Max Amp. Rating	Breaker Type	Catalog Number <sup>④</sup>	Unit Space (inches)	Mounting
3VA	125A	3VA41	S3VA41SBX	3.75	Single
	250A	3VA52	S3VA52SBX	5.00	Single
	400A / 600A	3VA53, 3VA54	S3VA54SBX	6.25	Single

**Blank Filler Plates<sup>⑤</sup>**

Includes blank filler plate to cover open unit space

Unit Height (inches)	Catalog Number
1.25"	6FPB01SBX
2.5"	6FPB02SBX
3.75"	6FPB03SBX
5"	6FPB05SBX
10"	6FPB10SBX



Catalog No. S3VA54SBX  
400A/600A Strap Kit

① Switchboard ships from factory with Main Breaker only. Branch Breakers must be field installed.

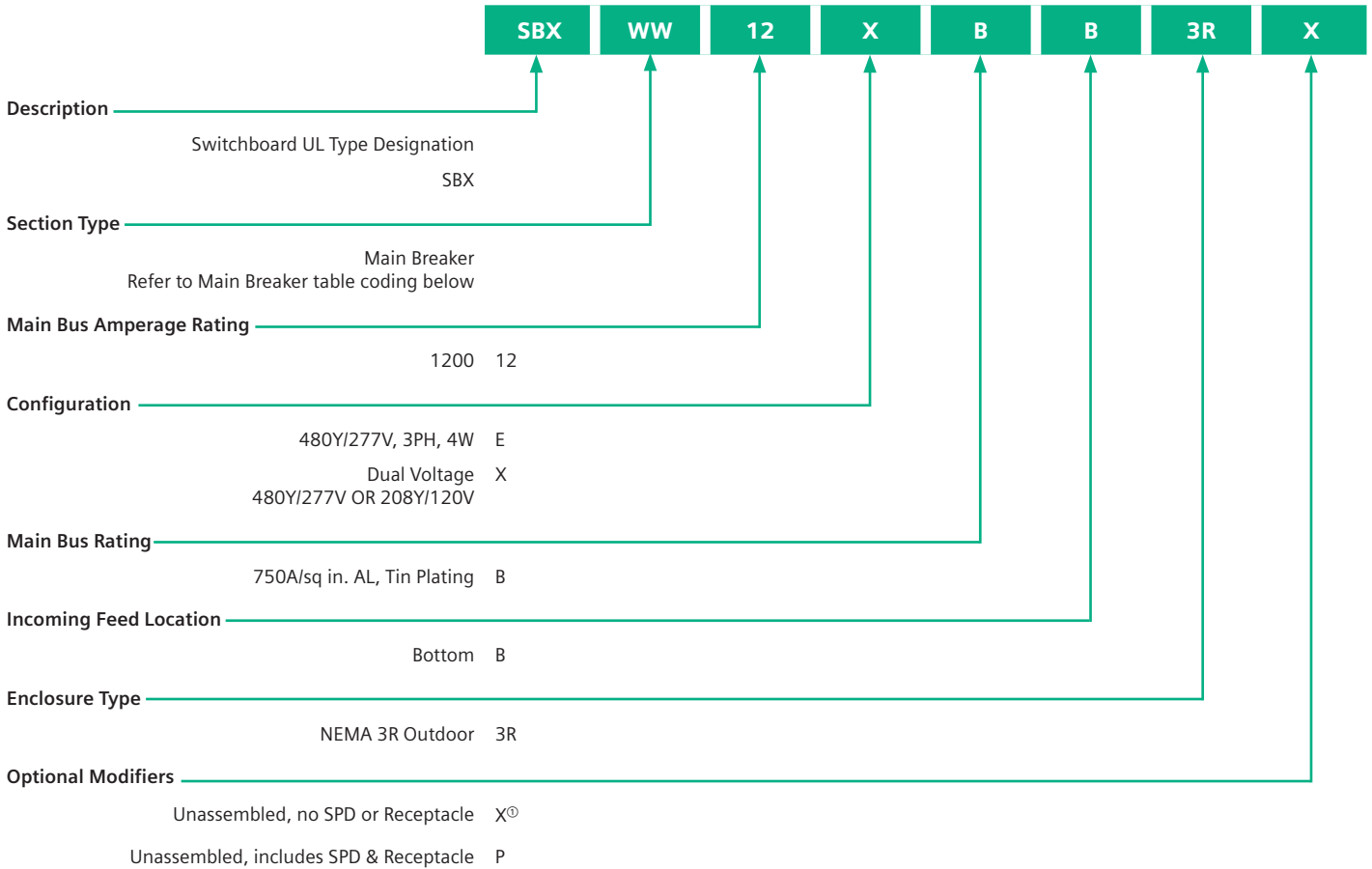
② Weight of switchboard with packaging.

③ Switchboard ships from factory with provisions for a TPS4 SPD. TPS4 SPD sold separately.

④ Breaker sold separately.

⑤ Each kit contains quantity 5 filler plates.

### RapidSBx Catalog Number Structure

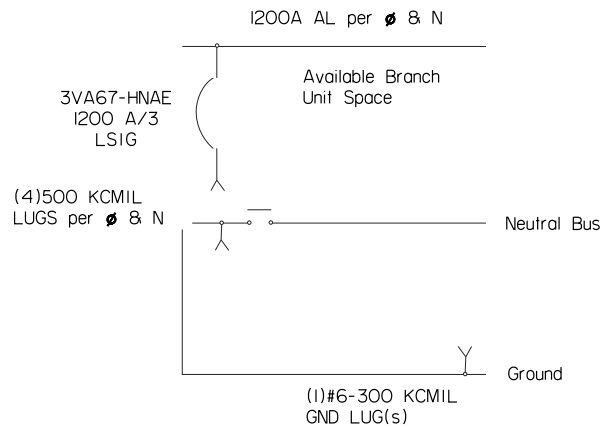
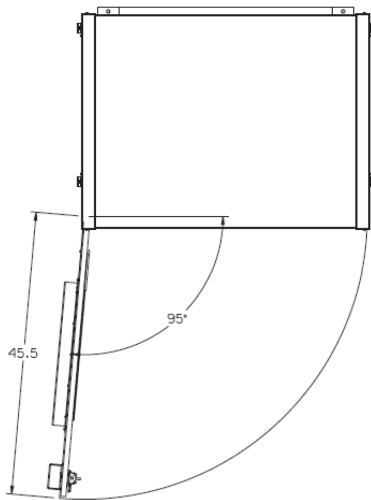
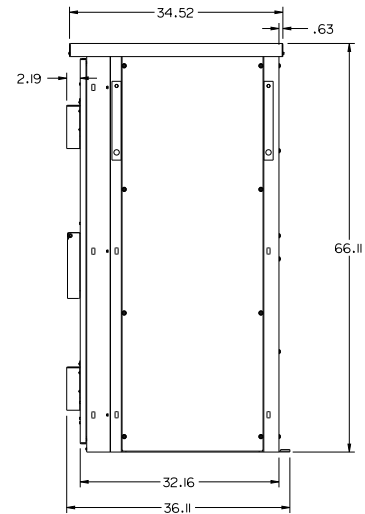
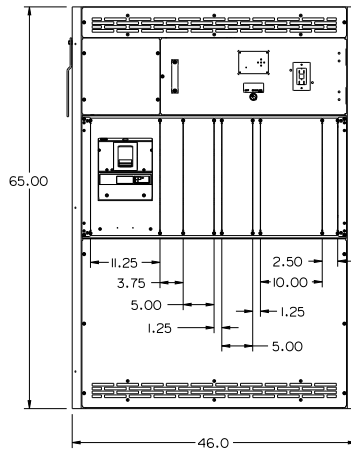
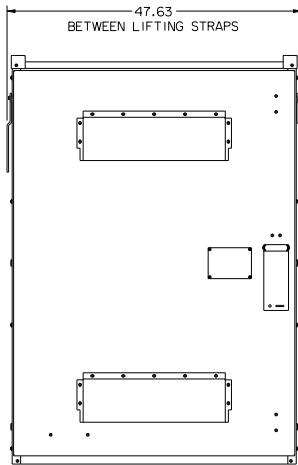
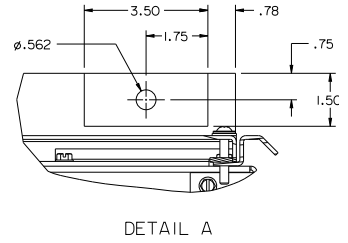
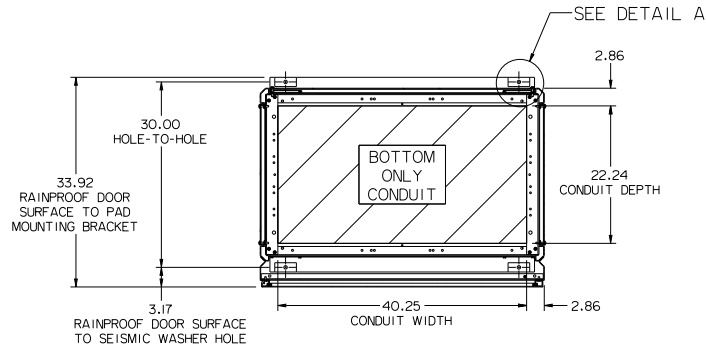


<sup>ⓐ</sup> Switchboard ships from factory with provisions for a TPS4 SPD. TPS4 SPD sold separately.

#### Main Breaker Type Coding

Code	Breaker	3VA Frame
WV	MNAE	3VA67
WW	HNAE	
WX	CNAE	

Elevation view of the Switchboard



**Legal Manufacturer**

Siemens Industry, Inc.  
3617 Parkway Ln  
Peachtree Corners, GA 30092  
United States of America

Telephone: +1 (800) 333-7421  
[www.usa.siemens.com/rapidsbx](http://www.usa.siemens.com/rapidsbx)

Order No. SWDS-EVSWB-0324  
© 03.2024, Siemens Industry, Inc.

This document contains a general description of available technical options only, and its effectiveness will be subject to specific variables including field conditions and project parameters. Siemens does not make representations, warranties, or assurances as to the accuracy or completeness of the content contained herein. Siemens reserves the right to modify the technology and product specifications in its sole discretion without advance notice.